



PARTS CATALOG

Robin

Pump

Model

PKV101

Spec. No. PKV10100350
EH025P*0105

 **FUJI HEAVY INDUSTRIES LTD.**

ISSUE EMD-PP1644

FIG.100 CRANKCASE GROUP

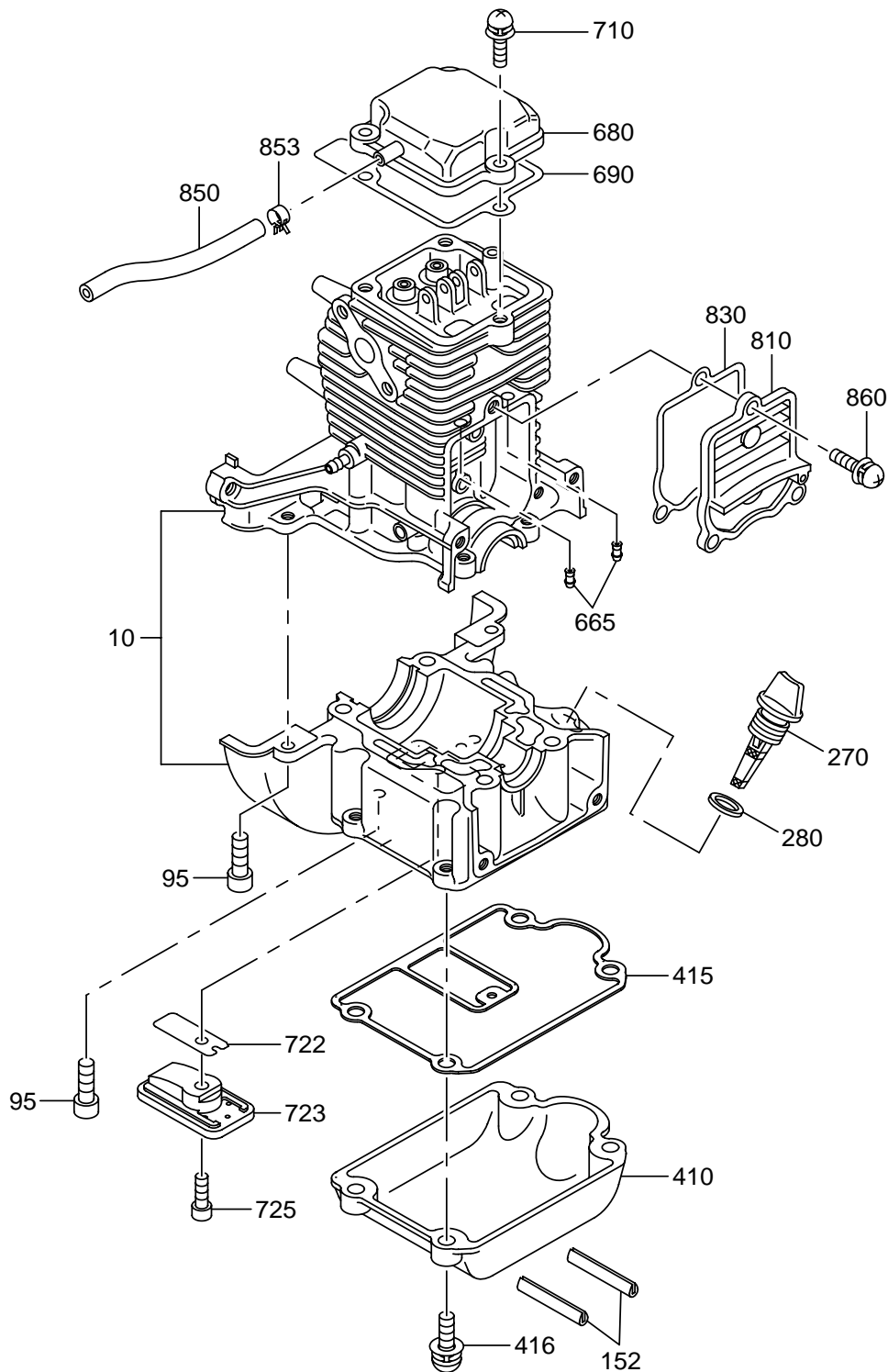


FIG.200 CRANKSHAFT and PISTON GROUP

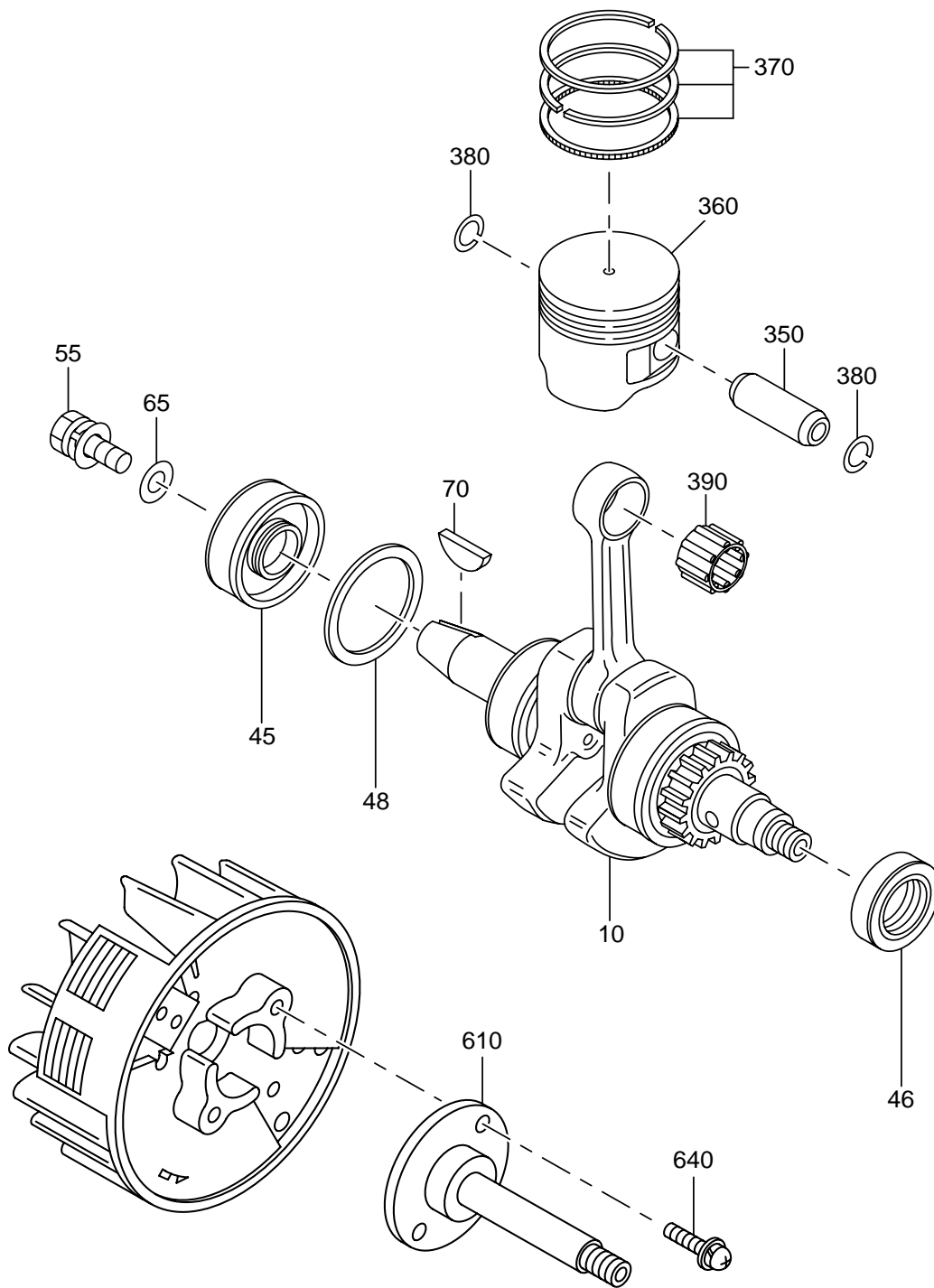


FIG.300 INTAKE and EXHAUST GROUP

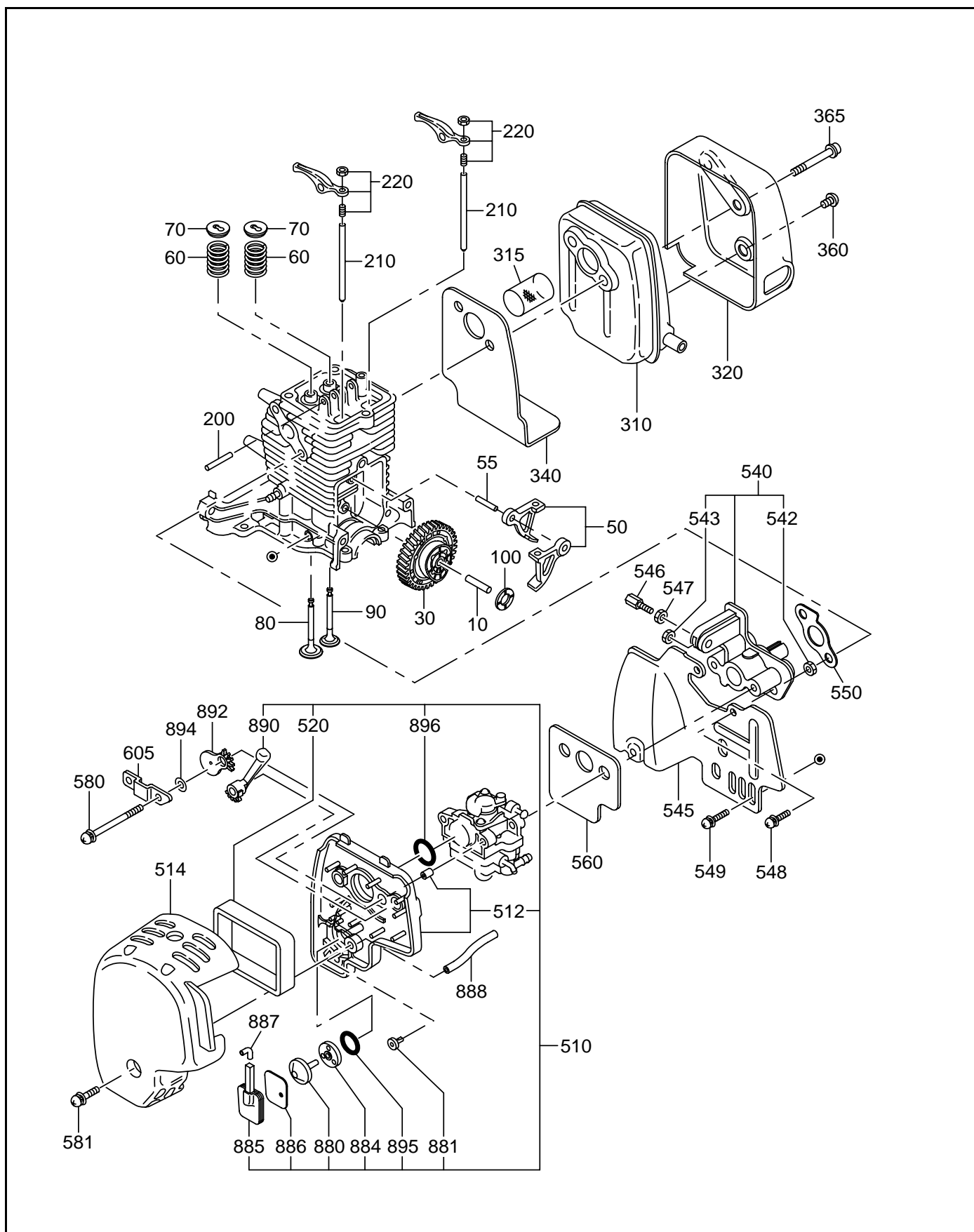


FIG.300 INTAKE and EXHAUST GROUP

Interchangeability

Ref. No.	Part Number	Description	Q'ty	Execution
10	592-35005-01	SHAFT, CAMGEAR	1	
30	592-30070-00	CAMGEAR AY	1	
50	592-35000-01	CAMLIFTER	2	
55	592-35006-00	SHAFT, CAMLIFTER	1	
60	592-35012-00	VALVE SPRING	2	
70	592-35013-00	RETAINER, SPRING	2	
80	592-35015-00	INTAKE VALVE	1	
90	592-35014-00	EXHAUST VALVE	1	
100	592-35038-00	WASHER	1	
200	592-35011-01	ROCKER SHAFT	1	
210	592-35007-00	PUSH ROD	2	
220	592-30020-00	ROCKER ARM AY	2	
310	592-30010-00	MUFFLER	1	
315	592-30080-10	SPARK ARRESTER	1	
320	592-35034-00	COVER, MUFFLER	1	
340	592-35016-01	GASKET, MUFFLER	1	
360	014-00599-62	SCREW (M5×5L)	1	
365	011-90595-20	SOCKET HEAD BOLT (M5×20L)	2	
510	592-30040-03	PLATE, CLEANER AY	1	
512	592-30060-02	PLATE, AIR CLEANER CP	1	
514	592-35027-00	COVER, AIR CLEANER	1	
520	592-35032-00	ELEMENT	1	
540	592-30050-01	INSULATOR CP	1	
542	017-00599-80	NUT	2	
543	002-27060-00	NUT	1	
545	592-35020-00	INSULATOR, CARBURETOR	1	
546	014-90699-72	ADJUST SCREW	1	
547	002-27060-00	NUT	1	
548	004-36051-80	SCREW AY (M5×18L)	2	
549	004-36051-00	SCREW AY (M5×10L)	1	
550	592-35018-01	GASKET, INSULATOR	1	
560	592-35019-00	GASKET, CARBURETOR	1	
580	592-35031-00	SCREW (M5×68L)	2	
581	014-00594-80	SCREW AY(M5×14L)	1	
605	592-35026-00	PLATE	1	
880	531-65007-01	CHECK VALVE	1	
881	592-35024-00	CHECK VALVE (1)	1	
884	592-35025-00	PLATE, CHECK VALVE	1	
885	593-35016-00	PLATE, SEPARATOR CP	1	
886	592-35035-00	GASKET, SEPARATOR	1	
887	592-35039-00	PIPE, PLATE SEPARATOR	1	
888	592-35030-01	PIPE	1	
890	592-35022-00	LEVER, CHOKE	1	
892	592-35023-01	PLATE, CHOKE	1	

'01-10

EH025P*0105

FIG.400 GOVERNOR, OPERATION GROUP

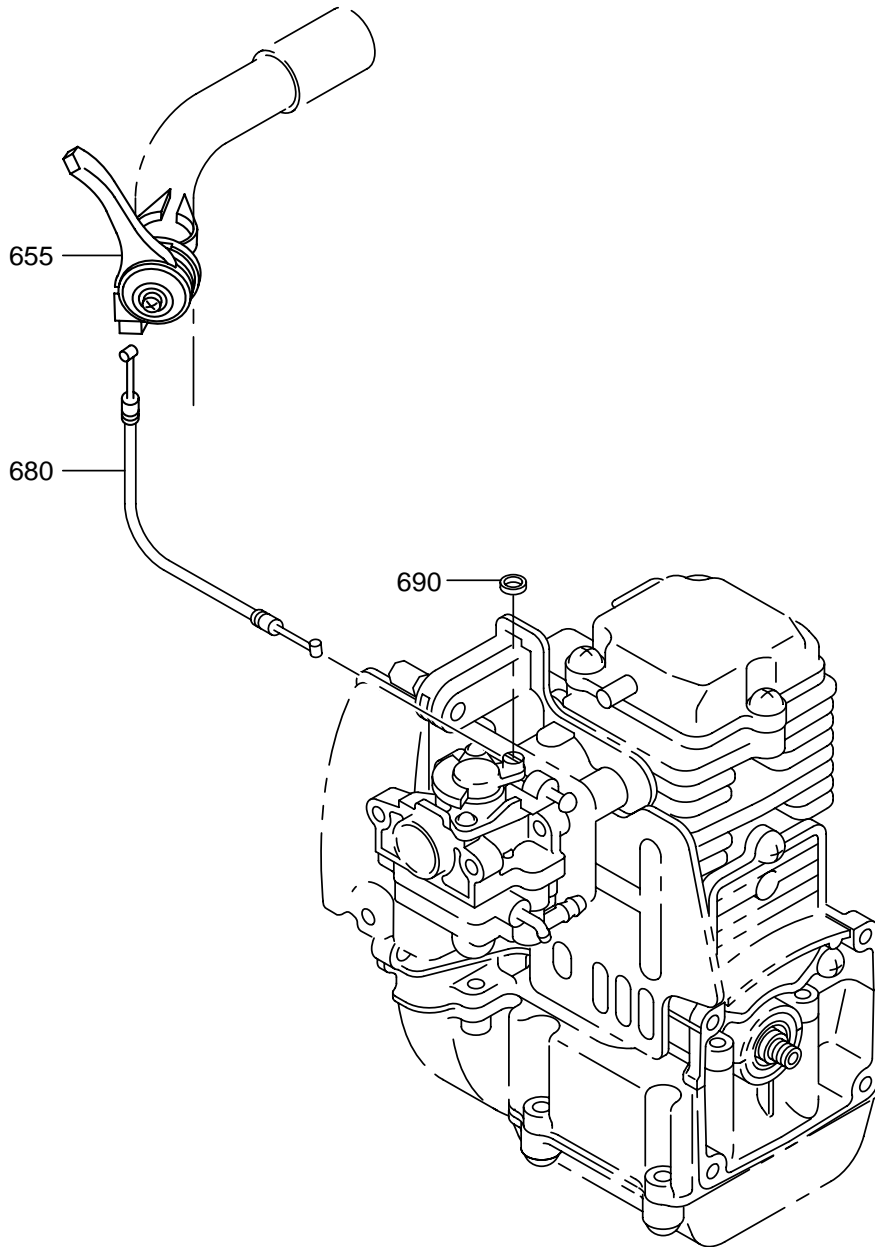


FIG.500 COOLING and STARTING GROUP

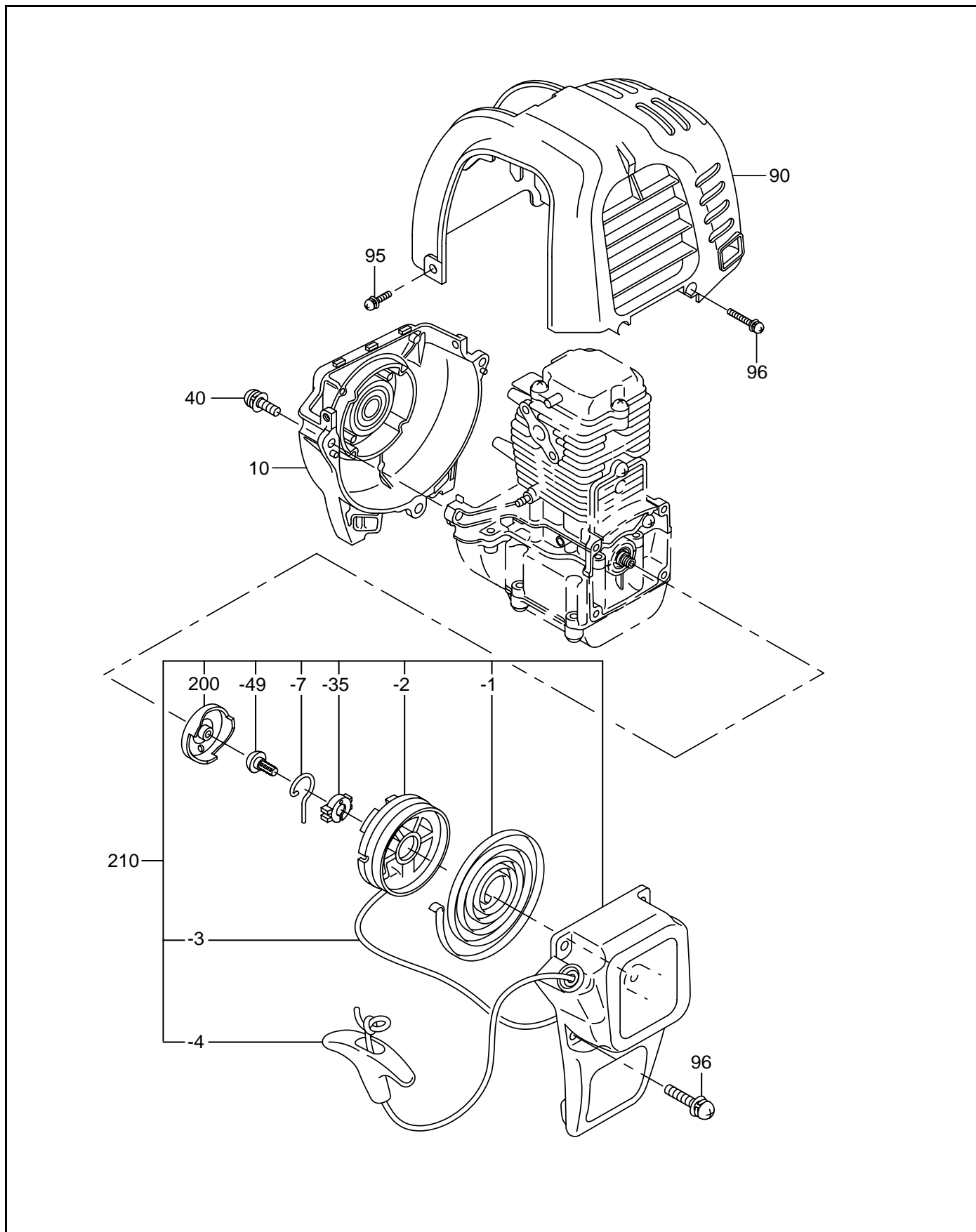


FIG.600 FUEL, LUBRICANT GROUP

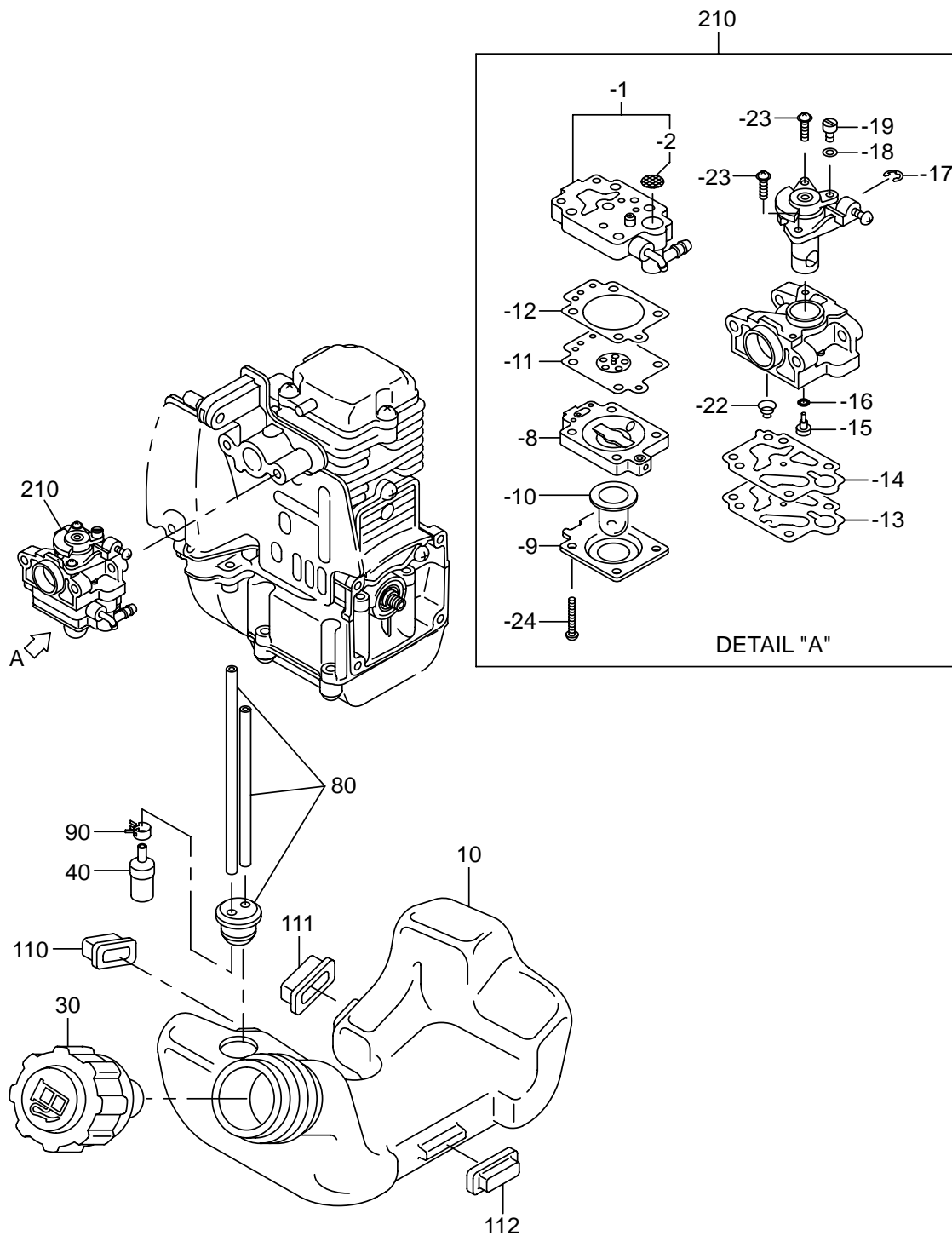


FIG.700 ELECTRIC DEVICE GROUP

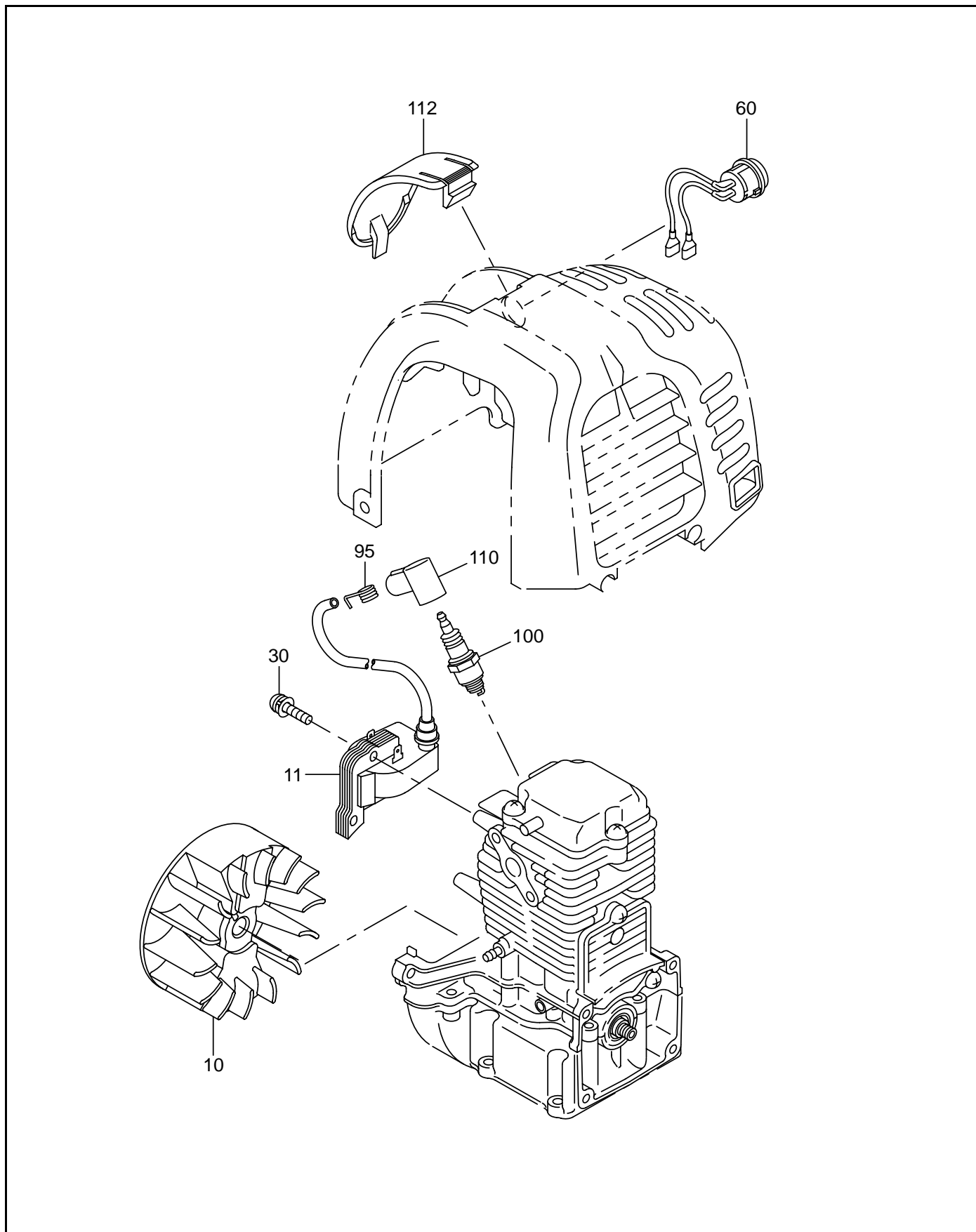


FIG.900 ACCESSORIES, LABEL GROUP

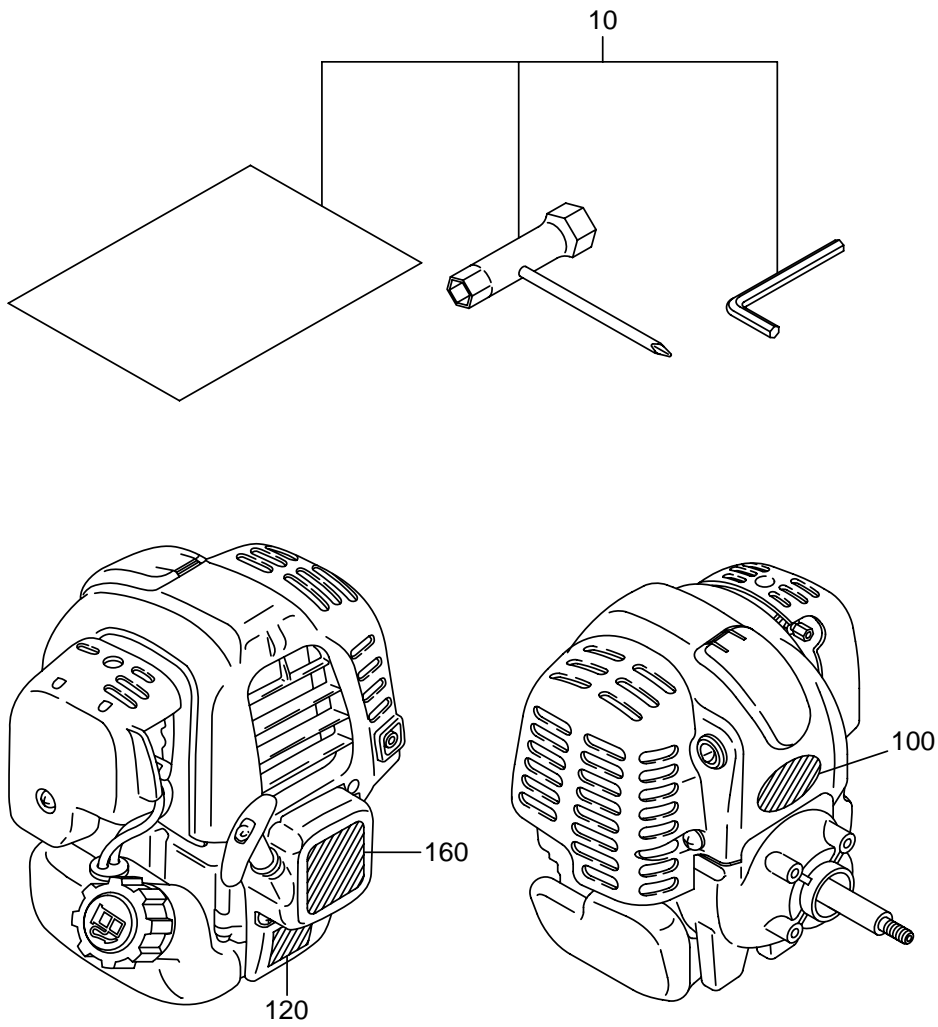


FIG.4200 PUMP GROUP

